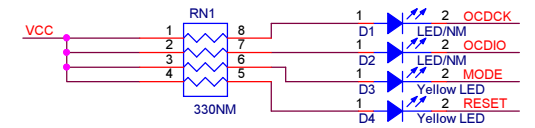
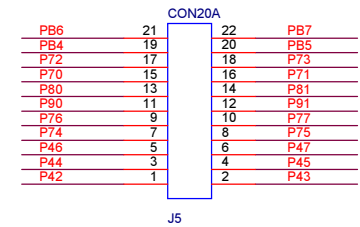
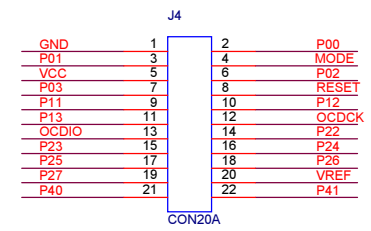
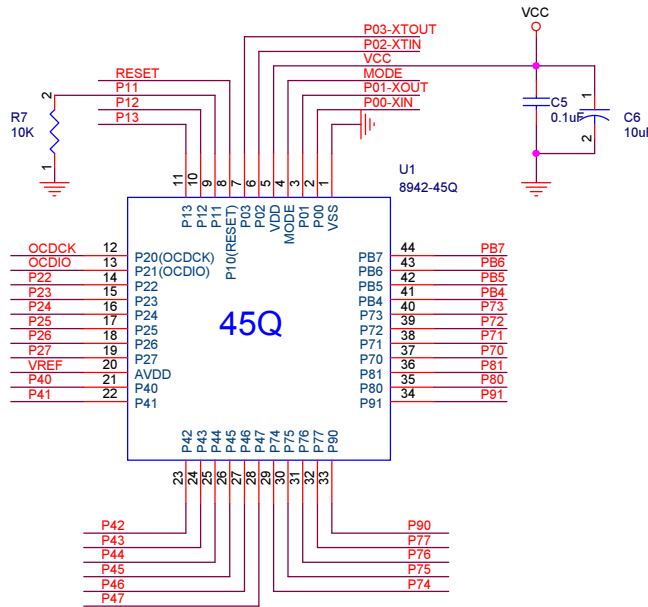
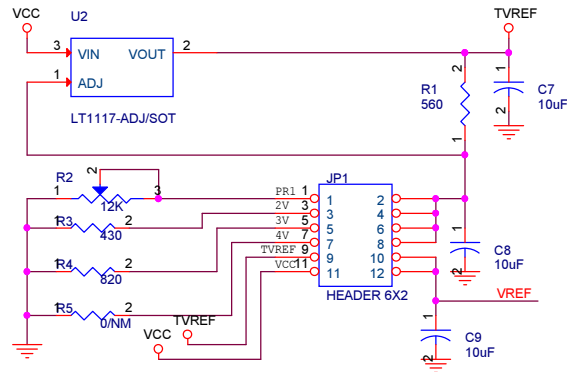
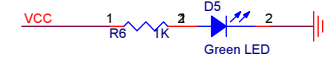


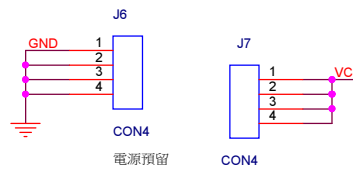
InSystemProgramming



Reserve TOP side



$V_{OUT} = V_{REF} (1 + \frac{R2}{R1}) + I_{ADJR2}$
 $R2 = R1 \left(\frac{V_{OUT}}{V_{REF}} - 1 \right)$
 D:\Tools\LM317 Voltage 計算器.mht



Title		
MQ-Link 45Q EV Board V1.0		
Document Number		
Size	<Doc>	Rev
B		<RevCode>
Date:	Wednesday, July 08, 2015	Sheet 1 of 1